

Unique Features for Versatility

- Bottling Pick-up Heads are made from a combination of high impact plastic, aluminum, rubber elastomer and metal parts. They are light yet strong.
- By combining a few dozen components literally thousands of customized solutions can be created.
- Only a light amount of air pressure is required. Air consumption is nil as it is a closed circuit. To release just exhaust the air to release the grip using simple air control valves.
- The main wear item is the grip's bladder which is available in long lasting materials. They can be stocked and replaced in minutes by hand.
- The Bottling Heads can be mounted to simple fixtures with a through hole of your own design.



- Instant Pick Up and Release in milli-seconds.
- It is simple and easy to handle any container with a neck. The inflatable bladder leaves no trace.

Free Literature + Expert Advice

Contact us for Free Literature on any of our Product Groups :



- Vacuum Components



- Vacuum Tube Lift Systems



- Vacuum Lifters



- Ergonomic Lifting Systems



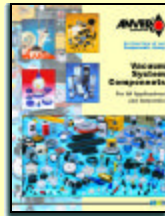
- Hand Vacuum Cups



- Vacuum Automation Components



- Bottling Components



36 Parmenter Road, Hudson, MA 01749 USA
Tel: 800-654-3500 • 978-568-0221 • Fax: 978-568-1570
e-mail: sales@anver.com • website: www.anver.com

Distributed in your area by:

Bottling Components

Pneumatic Powered Bottling Pick-Up Heads and Associated Wear Parts



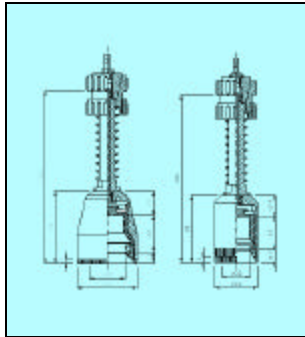
- An extensive selection of high quality bottling grabs and wear parts. For use on major lines of new or replacement bottling machinery.
- Perfect for the soft drink, beer, wine, spirits, food, pharmaceutical and chemical industries.



Bottling Grabs and Components

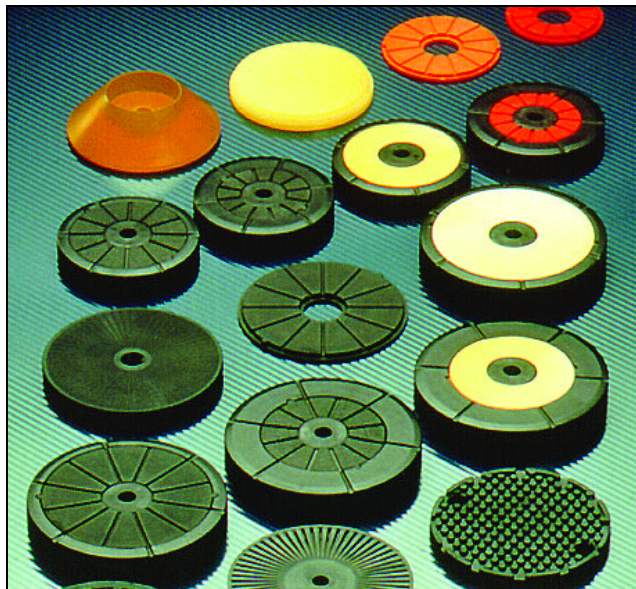


Pneumatic Powered Bottling Pick-Up Heads and Associated Wear Parts

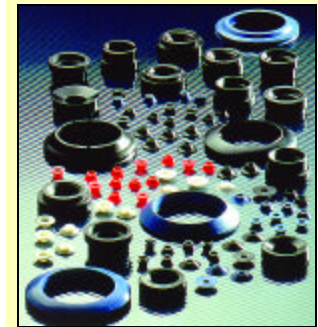


- A complete range of Bottling Heads are available to handle most containers. Simply inflate the bladder with compressed air and it grabs the bottle neck.

- Labeling and filling machine components available.



- If you are building new machinery or updating an existing line to handle a new container we can save you money.
- ANVER bottle grabs are pre-engineered and built in volume so that they are less expensive than buying through the usual channels.
- Simply send us a sample or get us the dimensions of the bottle or container you want to handle for a quick quote.



- The most common replacement parts can be bought individually.
- You can rebuild the pick-up heads with new bladders in minutes by hand.
- Filling machine components available.

